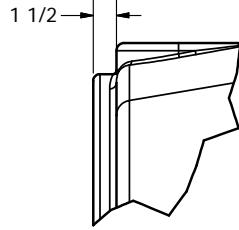
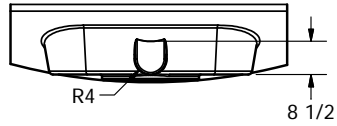
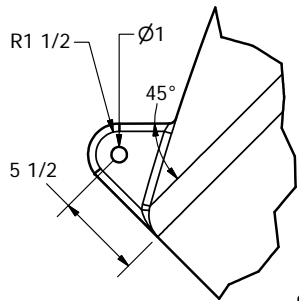
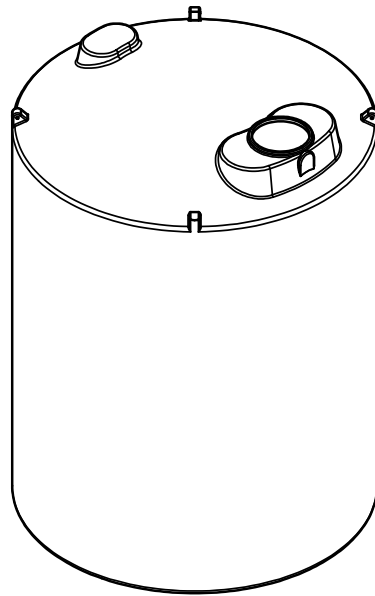
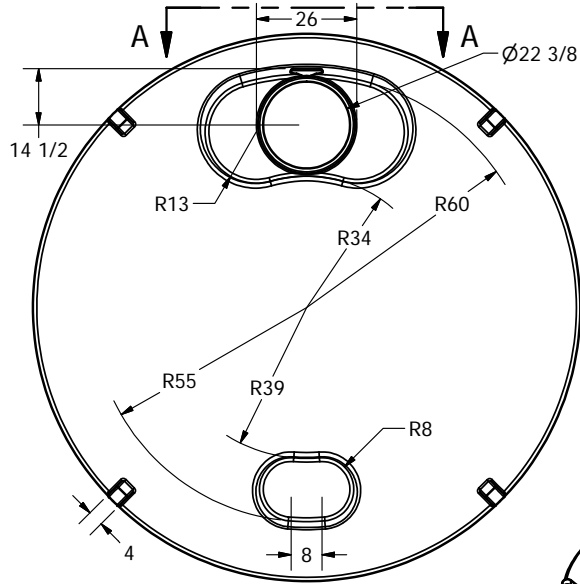
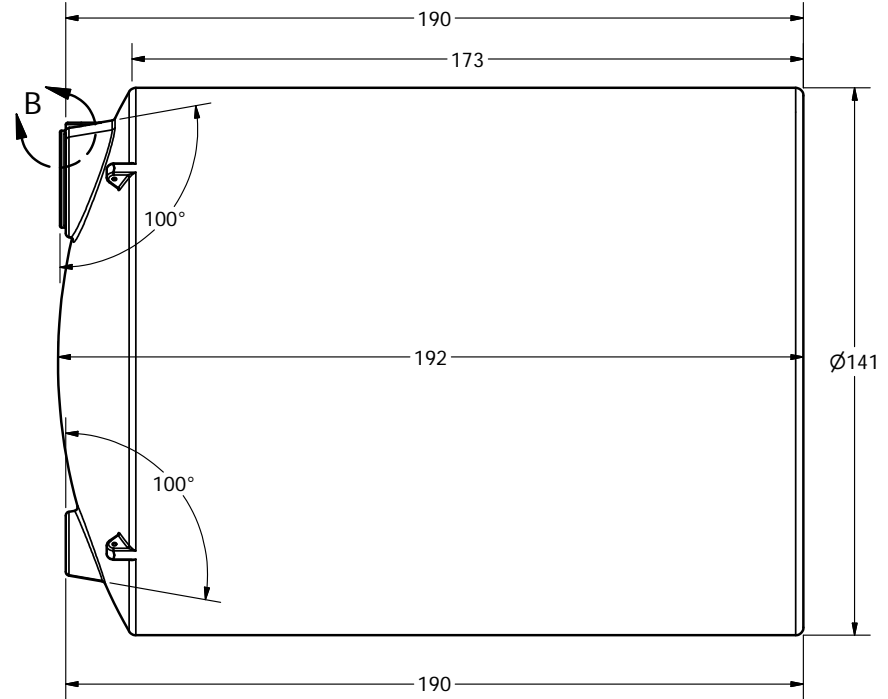



VIEW A-A
SCALE 1/32



DETAIL B
SCALE 1 / 8



DETAIL D
SCALE 1 / 8

DRAWN Jerry Paulson	1/29/2014		
CHECKED		NORWESCO, INC. SAINT BONIFACIUS, MN	
QA		TITLE	
MFG		12,000 GALLON VERTICAL INDUSTRIAL TANK	
APPROVED		SIZE	DWG NO
		B	
		SCALE: 1/32	REV